

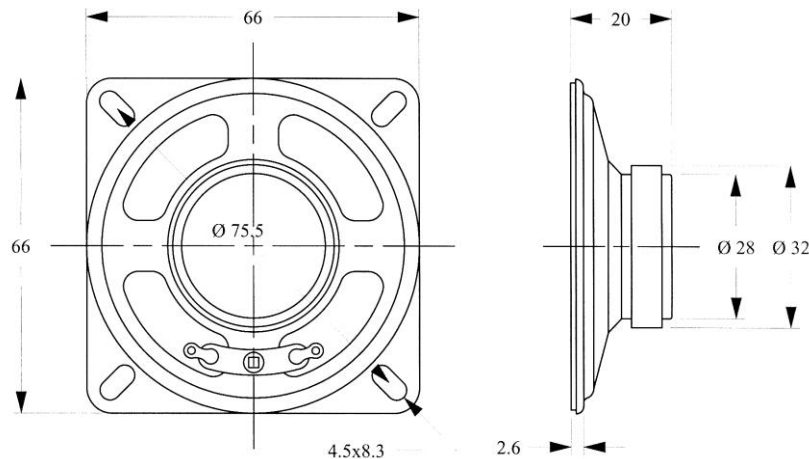
**Lautsprecher LSM-66M/F/SQ** Art.-Nr.: 125061

**Specification :**

TYPE	UNIT	LSM-66M/F/SQ
Impedance	$\Omega$	8 $\pm$ 15%
Power (Nominal)	W	1.5
Power (Maximum)	W	2.0
Resonant Frequency	Hz	320 $\pm$ 20%
Sound Pressure Level	dB	86 $\pm$ 3
Frequency Range	Hz	Fo~10.000
Operating Temperature	$^{\circ}$ C	-20~+60
Storage Temperature	$^{\circ}$ C	-30~+70

**Dimensions :**

(Unit : mm)



**Frequency Response :**

